

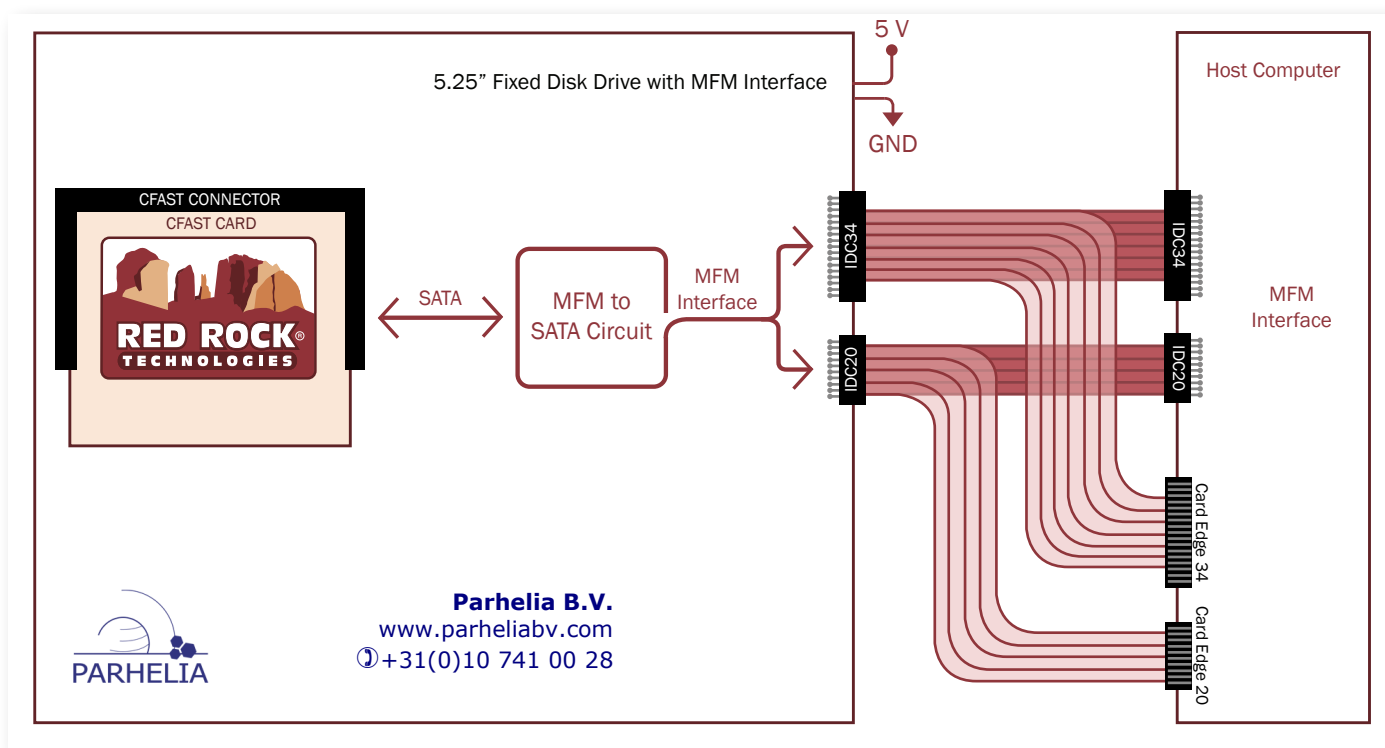


# RRT-525MFM-CFAST 5.25" Hard Disk Drive with MFM Interface

- Drop in replacement for obsolete 5.25" Hard Disk Drives with MFM interface
- MFM encoding, ST506/412 compatability
- Transfer rate of 5 MB/s
- Capacities up to 300 MB
- Commercial temperature range (0°C to 70°C)
- Extended temperature range (-40°C to 85°C)
- Conformal coating available
- IDC 34-pin connector and IDC 20-pin connector
- RoHS Compliant
- US-based engineering and manufacturing
- In-house technical support



**5.25" HARD DISK DRIVE WITH MFM INTERFACE** is a long-term industrial-grade solution for replacement of obsolete 5.25" Hard Disk Drives from Seagate, Western Digital, Fujitsu, IBM, Maxtor, Quantum, Miniscribe, Shugart, Teac, Sony, Panasonic, and Honeywell.



# Ordering Information

## MFM Drive

RRT-525MFM-CFast-UR - X

### Options May be left blank

Conformal Coating  
UR Polyurethane  
AR Acrylic

Extended Temperature Range  
X -40°C to 85°C

### ORDER EXAMPLES

RRT-525MFM-CFast  
RRT-525MFM-UR-X-CFast

## CFast Card

RRT-CFAST-SLC - 8GB - X - WP

### Requirements

NAND Flash Type  
SLC Single Level Cell  
MLC Multi Level Cell  
TLC Tri Level Cell (3D)

Capacity  
4GB - 64GB SLC  
8GB - 512GB MLC  
32GB - 1TB TLC

### Options May be left blank

Write Protect  
WP Write Protect

Extended Temperature Range  
X -40°C to 85°C

### ORDER EXAMPLES

RRT-CFAST-MLC-512GB  
RRT-CFAST-SLC-8GB-X-WP



**Parhelia B.V.**  
[www.parheliabv.com](http://www.parheliabv.com)  
☎ +31(0)10 741 00 28



# Product Specifications

## 5.25" FIXED DISK DRIVE WITH MFM INTERFACE

### PERFORMANCE

NAND FLASH TYPE	TLC	MLC	MLC-X	SLC
CAPACITIES	Capacities up to 300 MB			
INTERFACE	Standard IDC 34-pin and 20-pin connector			
SECTOR SIZE	256 or 512 bytes			

### RELIABILITY

MTBF (HOURS) <sup>1</sup>	1 million hours	2 million hours	3 million hours
ENDURANCE (100 GB SSD)	70 TBW		350 TBW
DATA RETENTION	1 year <sup>2</sup>		10 years <sup>3</sup>

### POWER

VOLTAGE	+5V +/- 5%
WATTS (IDLE)	0.5 W
WATTS (ACTIVE)	2.5 W max

### ENVIRONMENTAL

OPERATING TEMP.	0 °C to 60 °C	0 °C to 70 °C	See MLC	0 °C to 70 °C
EXTENDED OPERATING TEMP.	Not available	See MLC-X	-40 °C to 85 °C	
STORAGE TEMP.	-40 °C to 85 °C			
ALTITUDE	10,000 ft. (3,000 meters)		80,000 ft. (24,000 meters)	
RELATIVE HUMIDITY	5% to 95% non-condensing			
SHOCK	350g 2 milliseconds		50g 11 milliseconds	
VIBRATION	1g 5Hz to 500 Hz		12g 20 Hz to 2000 Hz	

### PHYSICAL

FORM FACTOR	5.25" drive
WEIGHT	15 oz. max (420g)
DIMENSIONS	5.75" x 8.00" x 1.625" (146.05mm x 203.2mm x 41.275mm)

### NOTES

- (1) Telcordia SR-332, Issue 3, operating temp. (40 °C), electrical stress (50%), environmental factor (1.0)  
 (2) SLC: 10 years at 10% TBW ramping down to 1 year at 100% TBW  
 (3) MLC: 10 years at 0% TBW ramping down to 1 year at 100% TBW



**Parhelia B.V.**  
[www.parheliabv.com](http://www.parheliabv.com)  
 ☎ +31(0)10 741 00 28



Red Rock Technologies, Inc. reserves the right to modify, change or discontinue specific products within its product line at its own discretion. Red Rock Technologies, Inc. does not assume any liability resulting from the application or use of its products. The information contained herein has been checked and is believed to be entirely accurate; however, no responsibility is assumed for inaccuracies. "Red Rock Technologies" and the mountain logo are registered trademarks of Red Rock Technologies, Inc.

© Copyright 2023 Red Rock Technologies, Inc.  
 All rights reserved. (Rev. 20230106a)