



# RRT-525FLOPPY-R-CFAST 5.25" Floppy CFast Drive (SSD)

5.25" FLOPPY CFAST DRIVE (SSD) is a long-term industrial-grade solution for replacement of obsolete 5.25" floppy drives from Teac, Sony, Panasonic, and Honeywell.

Our unique product is designed for 5.25" form factor and replaces floppy media with CFast card. To the system, the CFast appears as a normal 5.25" floppy disk.

- Drop in replacement for obsolete 5.25" floppy drives
- FM, MFM encoding
- Transfer rates from 125 kb/s to 500 kb/s
- Capacities selectable for 360KB, 640KB, 720KB, 1.25MB per floppy
- Commercial temperature range (0°C to 70°C)
- Extended temperature range (-40°C to 85°C)
- Conformal coating available
- IDC 34-pin connector
- RoHS Compliant
- US-based engineering and manufacturing
- In-house technical support



**Parhelia B.V.**  
www.parheliabv.com  
+31(0)10 741 00 28

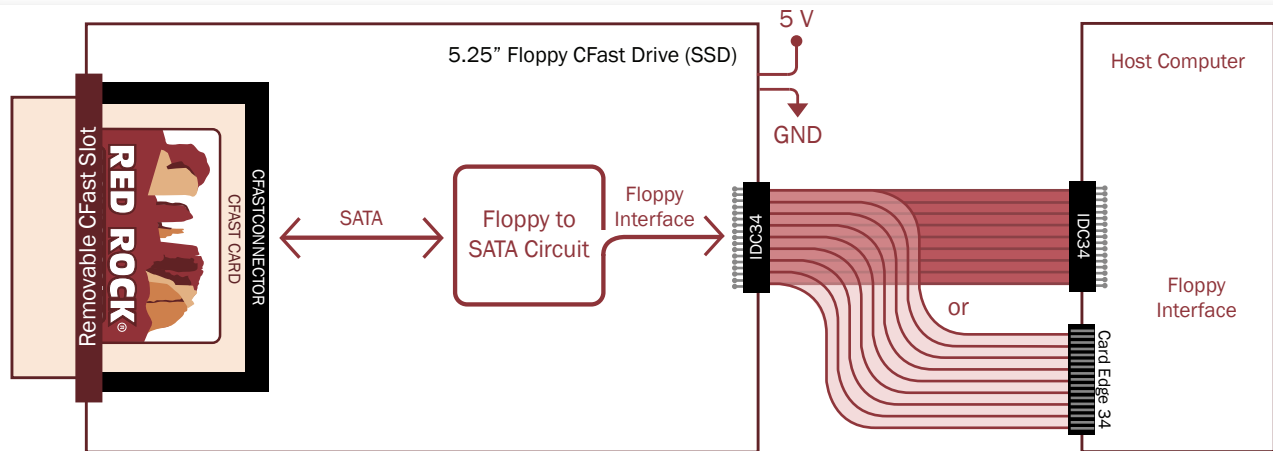
## REPLACE FLOPPY WITH SSD

Convert clunky, outdated floppy disks into versatile, compact CFast cards.

Before



After



# Ordering Information

## Floppy Drive

RRT-525FLOPPY-R-CFAST- **UR** - **X**

### Options May be left blank

#### Conformal Coating

UR Polyurethane  
AR Acrylic

#### Extended Temperature Range

X -40°C to 85°C

### ORDER EXAMPLES

RRT-525FLOPPY-R-CFAST  
RRT-525FLOPPY-R-CFAST-UR-X

## CFast Card

RRT-CFAST- **SLC** - **8GB** - **X** - **WP**

### Requirements

#### Capacity

0GB-8GB SLC  
0GB-8GB MLC

#### NAND Flash Type

SLC Single Level Cell  
MLC Multi Level Cell

### Options May be left blank

#### Write Protect

WP Write Protect

#### Extended Temperature Range

X -40°C to 85°C

### ORDER EXAMPLES

RRT-CFAST-MLC-8GB  
RRT-CFAST-SLC-8GB-X-W

## Cable

RRT-CBL-FLOPPY-IDC34- **CardEdge34** - **18"**

### Requirements

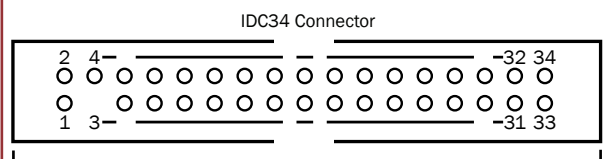
#### Host Connection

CardEdge34  
IDC34

#### Cable Length in Inches or Meters

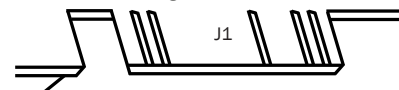
18"

### Host Connector



48.4 mm (1.91 in.)

### CardEdge34 Connector



### ORDER EXAMPLES

RRT-CBL-FLOPPY-IDC34-CardEdge34-18"  
RRT-CBL-FLOPPY-IDC34- IDC34-18"



**Parhelia B.V.**  
www.parheliabv.com  
+31(0)10 741 00 28

# Product Specifications

## 5.25" FLOPPY CFAST DRIVE (SSD)

### PERFORMANCE

NAND FLASH TYPE	TLC	MLC	MLC-X	SLC
CAPACITIES	Selectable for 360KB, 640KB, 720KB, 1.25MB per floppy			
INTERFACE	Standard floppy 34-pin connector			
SECTOR SIZE	256 or 512 bytes			

### RELIABILITY

MTBF (HOURS) <sup>1</sup>	1 million hours	2 million hours	3 million hours
ENDURANCE (100 GB SSD)	70 TBW	350 TBW	
DATA RETENTION	1 year <sup>2</sup>	10 years <sup>3</sup>	

### POWER

VOLTAGE	+5V +/- 5%
WATTS (IDLE)	0.5 W
WATTS (ACTIVE)	2.5 W max

### ENVIRONMENTAL

OPERATING TEMP.	0°C to 60°C	0°C to 70°C	See MLC	0°C to 70°C
EXTENDED OPERATING TEMP.	Not available	See MLC-X	-40°C to 85°C	
STORAGE TEMP.	-40°C to 85°C			
ALTITUDE	10,000 ft. (3,000 meters)	80,000 ft. (24,000 meters)		
RELATIVE HUMIDITY	5% to 95% non-condensing			
SHOCK	350g 2 milliseconds	50g 11 milliseconds		
VIBRATION	1g 5Hz to 500 Hz	12g 20 Hz to 2000 Hz		

### PHYSICAL

FORM FACTOR	5.25" drive
WEIGHT	15 oz. max (420g)
DIMENSIONS	5.75" x 8.00" x 1.625" (146.05mm x 203.2mm x 41.275mm)

### NOTES

- (1) Telcordia SR-332, Issue 3, operating temp. (40°C), electrical stress (50%), environmental factor (1.0)  
 (2) SLC: 10 years at 10% TBW ramping down to 1 year at 100% TBW  
 (3) MLC: 10 years at 0% TBW ramping down to 1 year at 100% TBW



**Parhelia B.V.**  
[www.parheliabv.com](http://www.parheliabv.com)  
 ☎ +31(0)10 741 00 28



Red Rock Technologies, Inc. reserves the right to modify, change or discontinue specific products within its product line at its own discretion. Red Rock Technologies, Inc. does not assume any liability resulting from the application or use of its products. The information contained herein has been checked and is believed to be entirely accurate; however, no responsibility is assumed for inaccuracies. "Red Rock Technologies" and the mountain logo are registered trademarks of Red Rock Technologies, Inc.

© Copyright 2023 Red Rock Technologies, Inc.  
 All rights reserved. (Rev. 20230106a)